

# BACKER IMMERSION HEATER FOR WATER HEATING WITH ELEMENT TUBES IN COPPER



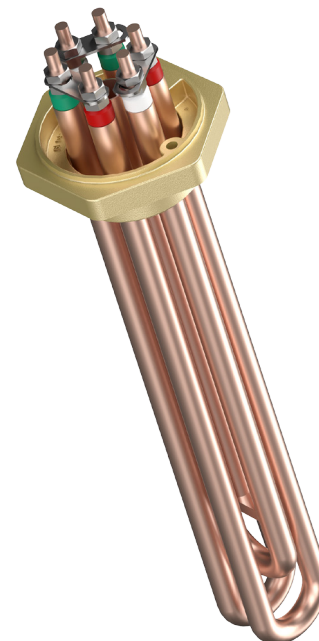
## Properties

Backer standard screw plug immersion/ insertion heater in stock is suitable as heat source for instance in domestic water heaters, calorifiers, electric boilers, tanks and industrial baths.

The heater consists of 3 pieces Backer tubular heating elements soldered to a screw plug. It could be fitted with different accessories such as terminal box, thermostat, safety temperature limiter, etc.

## Technical specification

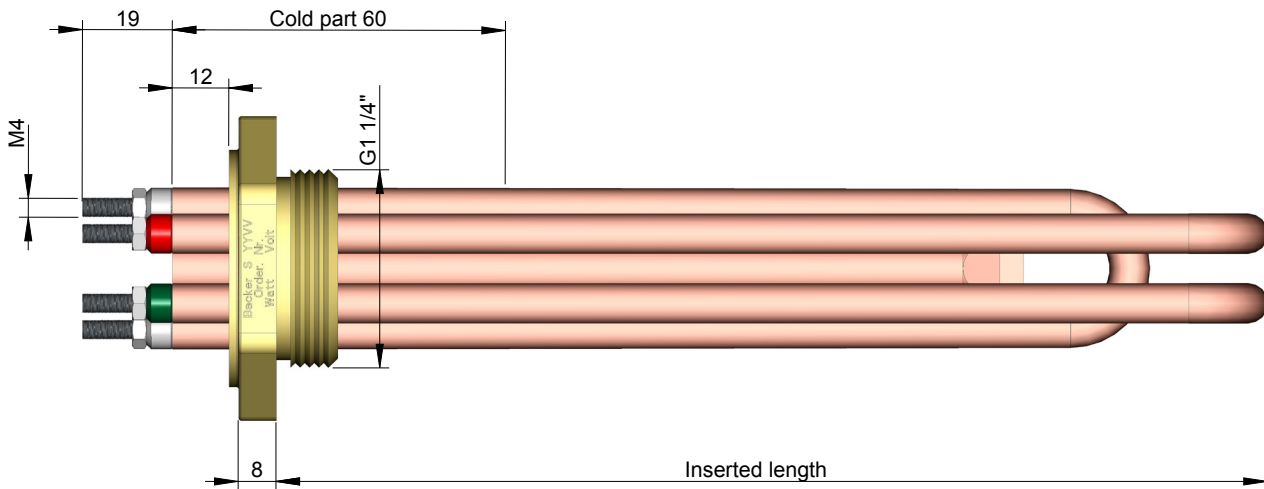
Material	Tubular elements Ø8,5 mm in copper C 12200 Screw plug G1¼" (R32, 42 mm) in brass Tube for thermostat/temp.limiter Ø10x0,7 length 180 mm
Inactive length	60±6 mm
Electric connection	M4
Assembly	Kit with gasket and connection parts included
Max working temperature	120°C
Max working pressure	9 bar
Manufacturing standard	Backer 40579311 CE
Standards	SS 4330701, SS-EN 60335-1, UL-1030, ISO 6469-3
Power tolerance	+5% / -10%
Surface power density	Approx. 8 W/cm <sup>2</sup>



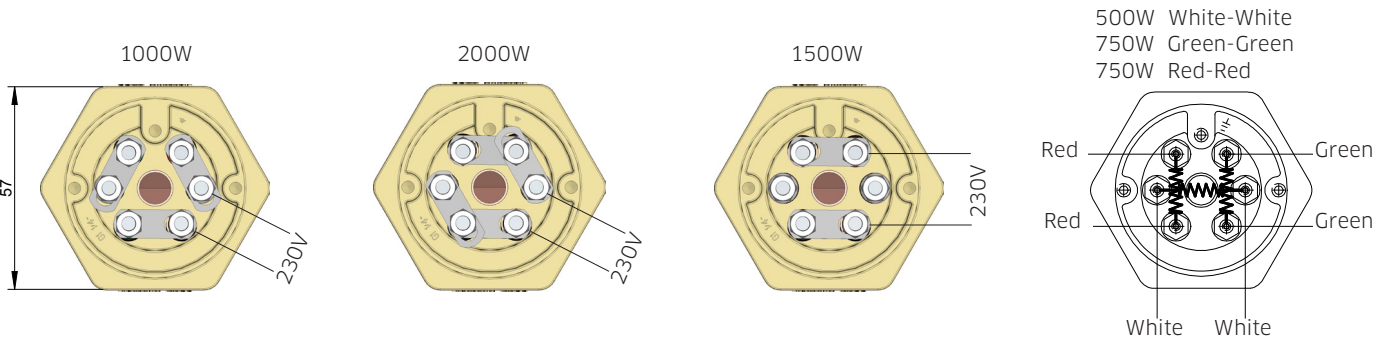
## Standard assortment

Type IU	Power W	Voltage V	Inserted length Max mm	Article no
IU20	1x500 + 2x750	230	215	2530607301

# BACKER IMMERSION HEATER FOR WATER HEATING WITH ELEMENT TUBES IN COPPER



## Circuit diagram/ connection alternatives\*



\*Electric connection must be performed by an appropriated electrician

## Options

Terminal boxes, thermostats and temperature safety limiters, different options  
 Nut G1¼" in brass article no 1140485403  
 Reducing nipple G1¼"-G1½" in brass article no 1160135701